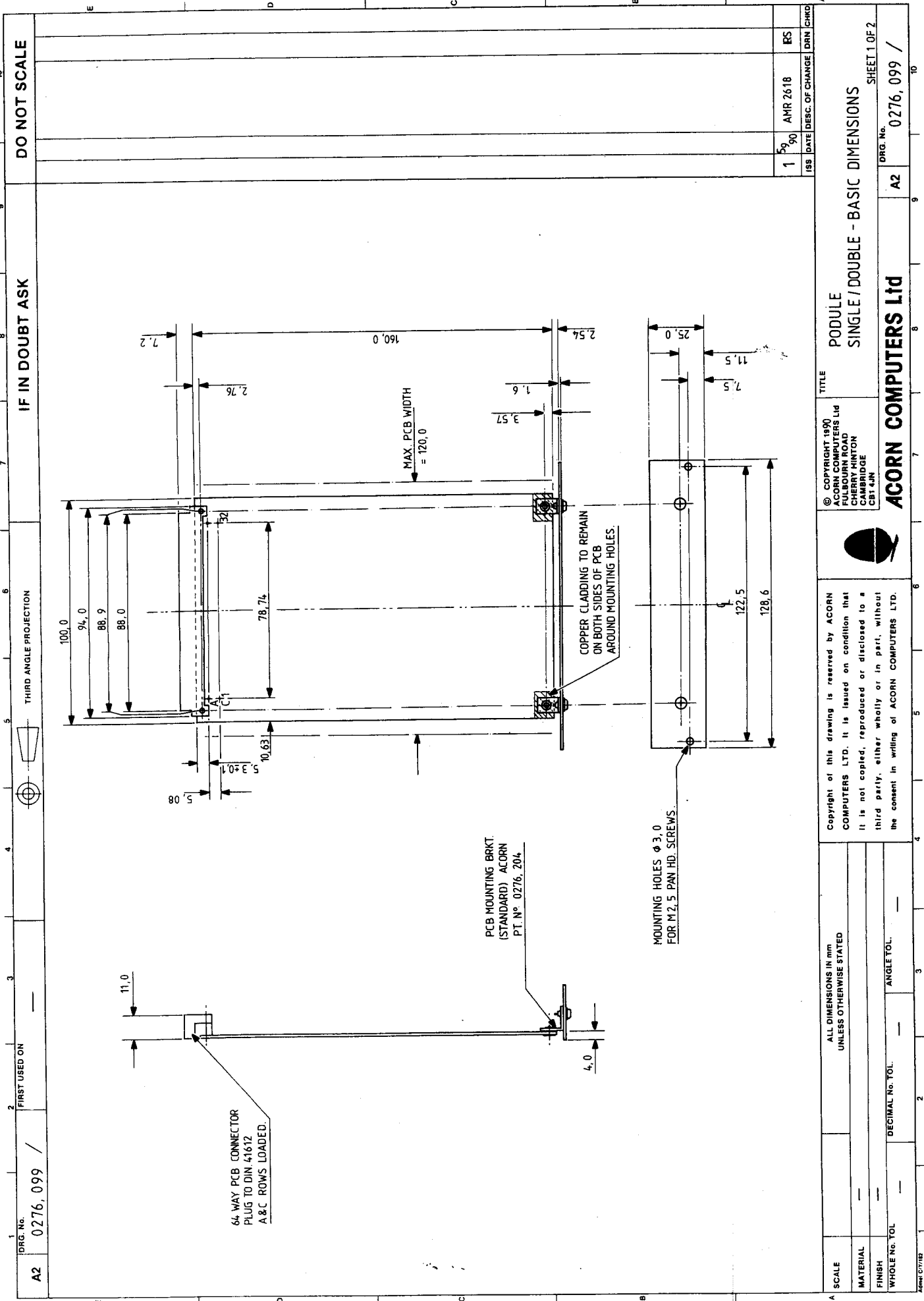
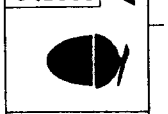


DRG. No. 0297,093		FIRST USED ON MEDUSA		THIRD ANGLE PROJECTION		IF IN DOUBT ASK		DO NOT SCALE	
SCALE	1:1	ALL DIMENSIONS IN mm UNLESS OTHERWISE STATED		Copyright of this drawing is reserved by ACORN COMPUTERS LTD. It is issued on condition that it is not copied, reproduced or disclosed to a third party, either wholly or in part, without the consent in writing of ACORN COMPUTERS LTD.		TITLE		GASKET REAR EXPANSION APERTURE	
MATERIAL	0.2 TH. HD. ROLLED S. STEEL 302 BS970					ACORN COMPUTERS LTD ACORN HOUSE VISION PARK CAMBRIDGE CB4 4AE		ECO 3538 RS	
FINISH	CLEAN, NO BURRS OR SHARP EDGES					ACORN COMPUTERS Ltd		AMR 3868 RS	
WHOLE No. TOL	± 0.5	DECIMAL No. TOL		± 0.2		DRG. No.		DESC. OF CHANGE	
		ANGLE TOL		± 0.5°		A2		DRN (CHKD.)	
						0297,093			



ISS	DATE	DESC. OF CHANGE	DRN	CHKD
1	59	AMR 2618	RS	

TITLE
PODULE
SINGLE/DOUBLE - BASIC DIMENSIONS

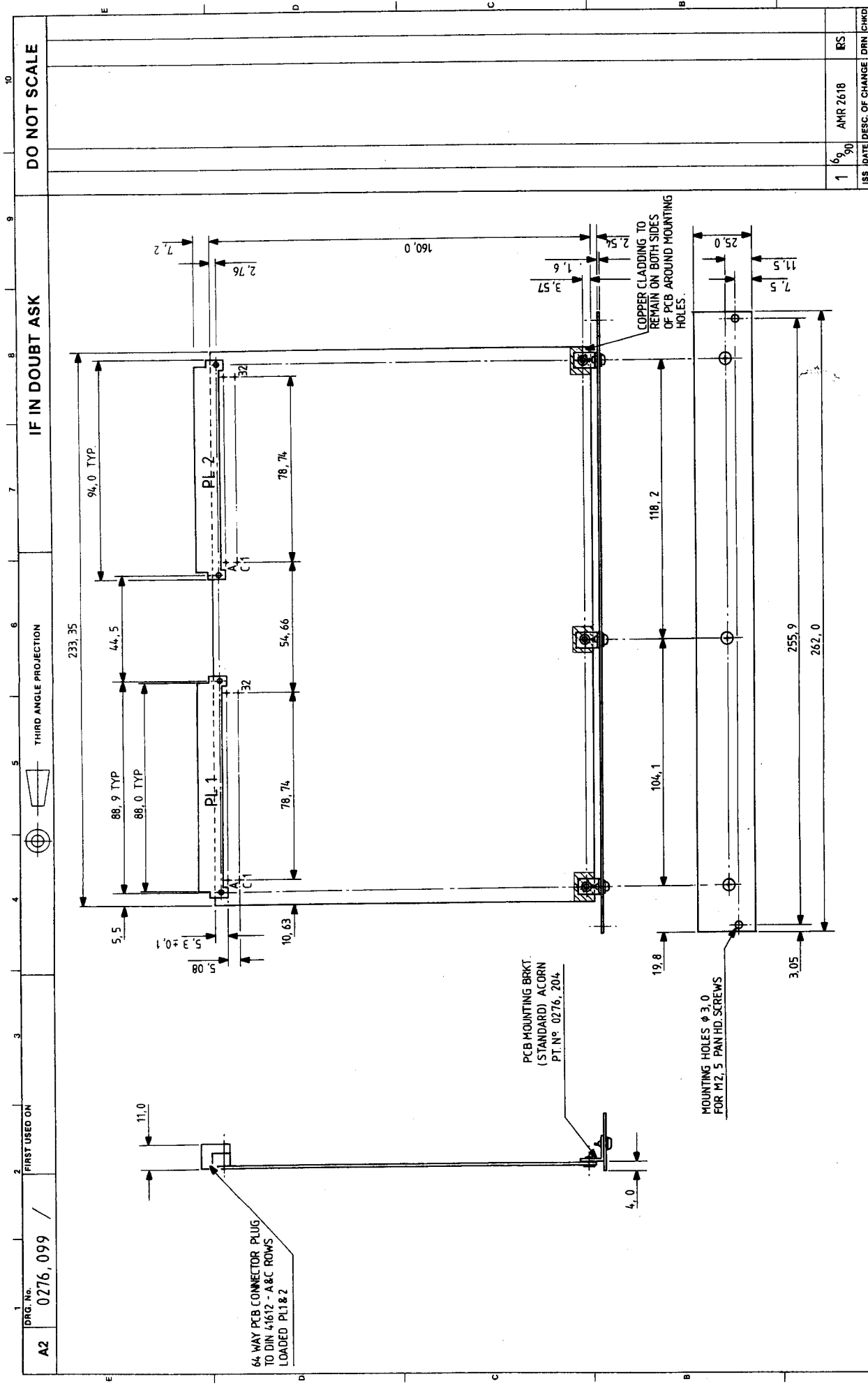


© COPYRIGHT 1990
 ACORN COMPUTERS Ltd
 FULBOURN ROAD
 CHERRY HINTON
 CAMBRIDGE
 CB1 4JN

ACORN COMPUTERS Ltd

Copyright of this drawing is reserved by ACORN COMPUTERS LTD. It is issued on condition that it is not copied, reproduced or disclosed to a third party, either wholly or in part, without the consent in writing of ACORN COMPUTERS LTD.

SCALE	ALL DIMENSIONS IN mm UNLESS OTHERWISE STATED
MATERIAL	
FINISH	
WHOLE NO. TOL.	DECIMAL NO. TOL.
	ANGLE TOL.



DO NOT SCALE

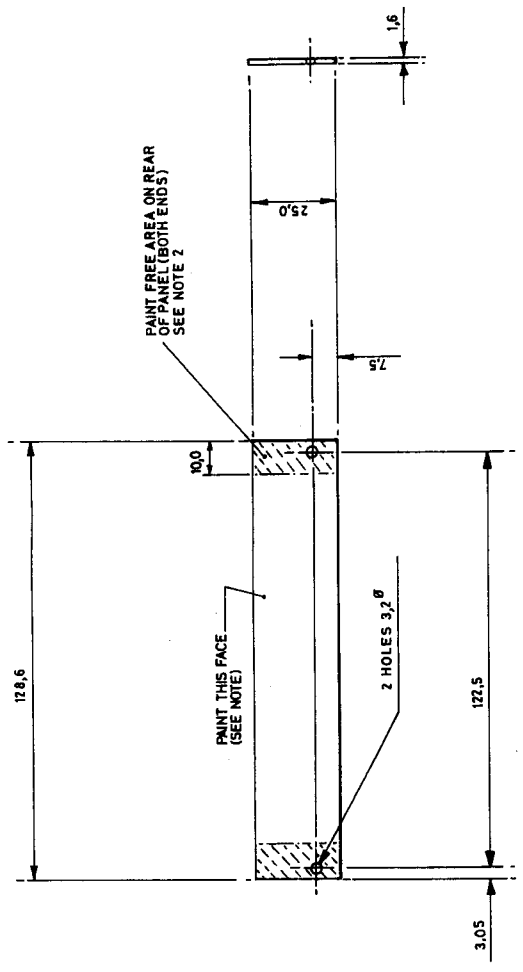
IF IN DOUBT ASK

THIRD ANGLE PROJECTION

FIRST USED ON

DRG. No. 0276, 099 / A2

ISS	1	DATE	6/90	DESC. OF CHANGE	RS	DRN	CHNGD
<p>© COPYRIGHT 1990 ACORN COMPUTERS LTD FULBURN ROAD CHERRY HINTON CAMBRIDGE CB1 4JN</p> <p>ACORN COMPUTERS Ltd</p>							
<p>Copyright of this drawing is reserved by ACORN COMPUTERS LTD. It is issued on condition that it is not copied, reproduced or disclosed to a third party, either wholly or in part, without the consent in writing of ACORN COMPUTERS LTD.</p>				<p>TITLE MODULE SINGLE / DOUBLE - BASIC DIMENSIONS</p>			
<p>ALL DIMENSIONS IN mm UNLESS OTHERWISE STATED</p>		<p>DECIMAL No. TOL. —</p>		<p>ANGLE TOL. —</p>		<p>DRG. No. 0276, 099 /</p>	
<p>MATERIAL —</p>		<p>FINISH —</p>		<p>WHOLE No. TOL. —</p>		<p>SHEET 2 OF 2</p>	



NOTE 1 FINISH: CLEAN FREE FROM BURRS AND SHARP EDGES. ZINC PLATE AND CLEAR PASS. OR ZINTEC PAINT ONE SIDE AND ALL EDGES CREAM TO MUNSSEL 5/ 8.5/1 (RAL 1013)

NOTE 2 ANY PAINT OVERSPRAY MUST NOT ENCR OACH ON REAR SIDE PAINT FREE AREAS SPECIFIED ABOVE

NOTE 3 PAINT FINISH TO BE IN ACCORDANCE WITH ACORN QA DOCUMENT 011-00-001 CLASS A2 (FRONT SURFACE ONLY)

5	ECO 2380	PMK		
4	ECO E429	PMK		
3	ECO E390	TR S PMK		
2	ECO E339	PMK IBS		
1	AMR E45	PMK		
ISS	DATE	DESC. OF CHANGE	DRN	CHKD

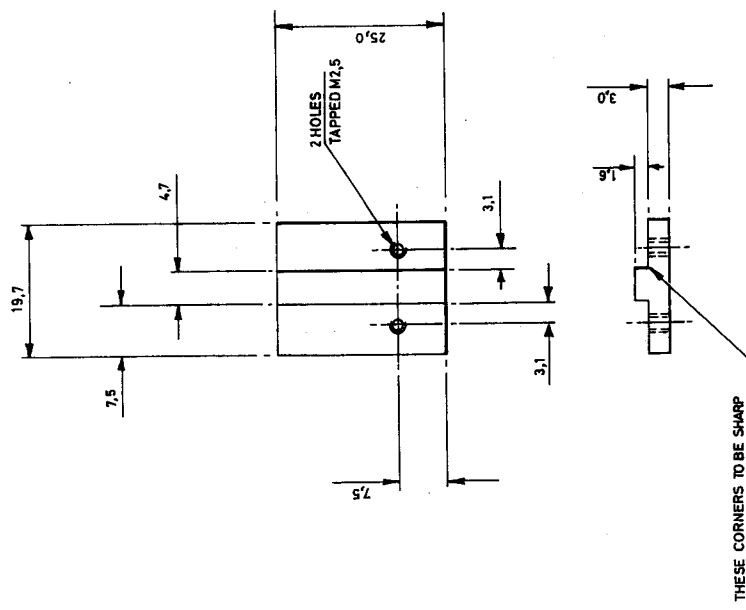
TITLE	
A1 SINGLE BLANKING PANEL	
DRG. No.	0276,035 /
A2	

© COPYRIGHT 1987 ACORN COMPUTERS LTD. CHERRY HILTON CAMBRIDGE CB1 4JN



Copyright of this drawing is reserved by ACORN COMPUTERS LTD. It is issued on condition that it is not copied, reproduced or disclosed to a third party, either wholly or in part, without the consent in writing of ACORN COMPUTERS LTD.

SCALE	ALL DIMENSIONS IN mm UNLESS OTHERWISE STATED
MATERIAL	1.6 THK. ZINTEC OR MILD STL. WITH ZINC PLATE & CLEAR PASSIVATE
FINISH	SEE NOTE
WHOLE No. TOL.	±0.2
DECIMAL No. TOL.	±0.1
ANGLE TOL.	± 1/2 °



2	ECO 2622	PMK
1	AMR E451	PMK
ISS	DATE	DESC. OF CHANGE
		DRN
		CHKD

© COPYRIGHT 1987 ACORN COMPUTERS LTD FULBURN ROAD FULBURN CAMBRIDGE CB1 4JN		TITLE T PIECE	
Copyright of this drawing is reserved by ACORN COMPUTERS LTD. It is issued on condition that it is not copied, reproduced or disclosed to a third party, either wholly or in part, without the consent in writing of ACORN COMPUTERS LTD.		ACORN COMPUTERS Ltd DRG. No. 0276,036/ A2	
SCALE	ALL DIMENSIONS IN MM UNLESS OTHERWISE STATED		
MATERIAL	ALUMINIUM TYPE NS4 H3 OR ALLOY 6062 T6/6063 T6		
FINISH	CLEAN FREE FROM BURRS		
WHOLE No. TOL.	± 0.2	DECIMAL No. TOL.	0.1
		ANGLE TOL.	± 1/2°

A2 0280,080

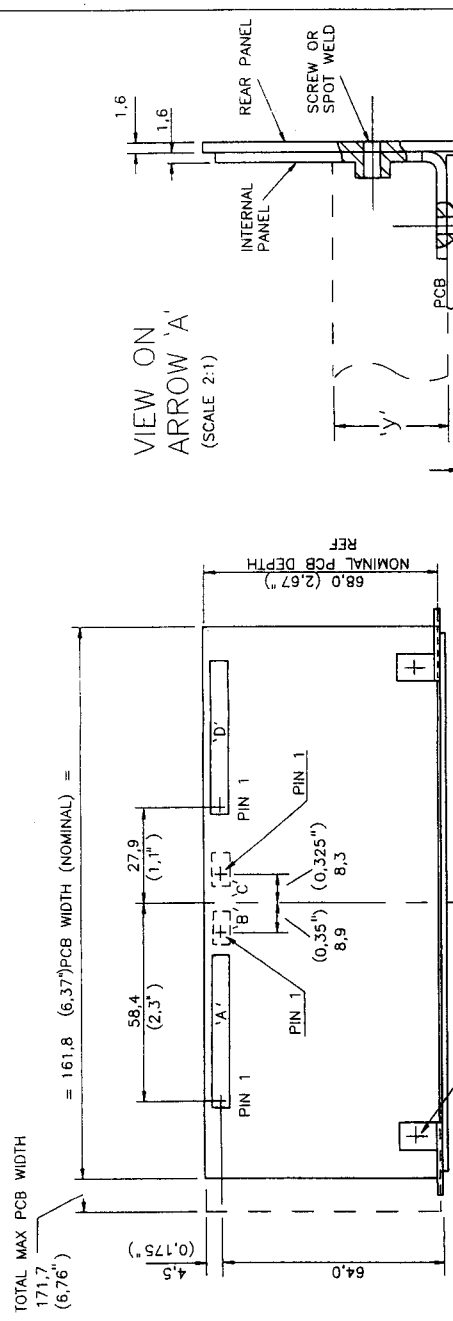
DRG. No.

FIRST USED ON

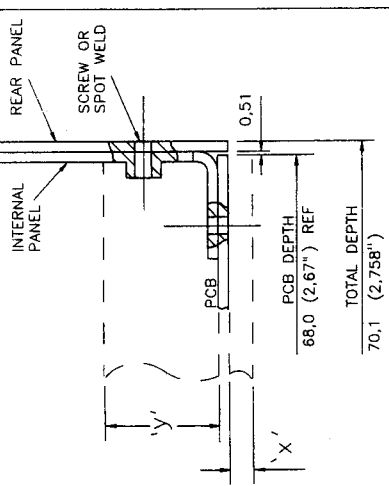
THIRD ANGLE PROJECTION

IF IN DOUBT ASK

DO NOT SCALE

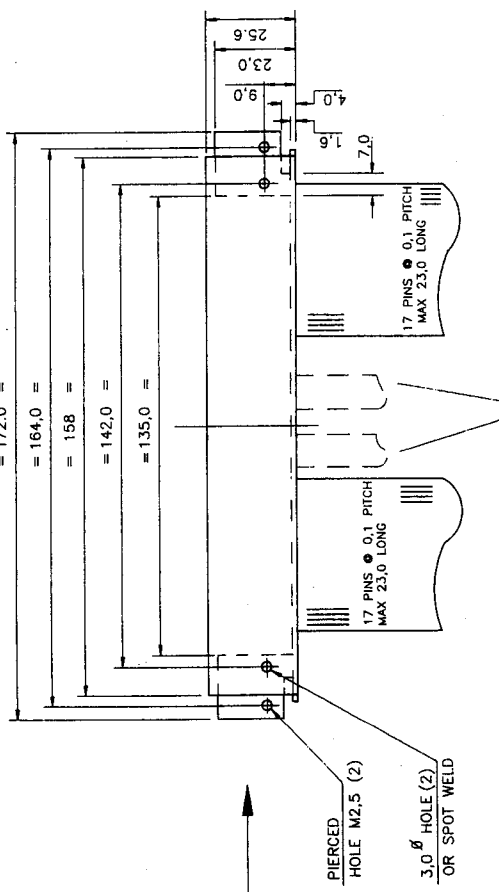


VIEW ON
ARROW 'A'
(SCALE 2:1)



MAX. COMPONENT HEIGHT	
A3000	A3020
A3010	A4000
y	19.5
x	4.5
	2.0

NOTE:
PLUGS IN POSITIONS A AND D
ARE (i) SELWYN DCT 8480212-17-01-3-8
PLUGS IN POSITIONS B AND C
ARE (ii) SELWYN DCT 8480212-5-01-3-8
OR EQUIVALENT



2x5 PINS (NOT ALWAYS FITTED)

SCALE

MATERIAL

FINISH

WHOLE No. TOL ± 0.5

DECIMAL No. TOL ± 0.1

ANGLE TOL ± 0.5°

Copyright of this drawing is reserved by ACORN COMPUTERS LTD. It is issued on condition that it is not copied, reproduced or disclosed to a third party, either wholly or in part, without the consent in writing of ACORN COMPUTERS LTD.



© COPYRIGHT 1983
ACORN COMPUTERS LTD
FULBOURN ROAD
CHERRY HINTON
CAMBRIDGE
CB1 4HN

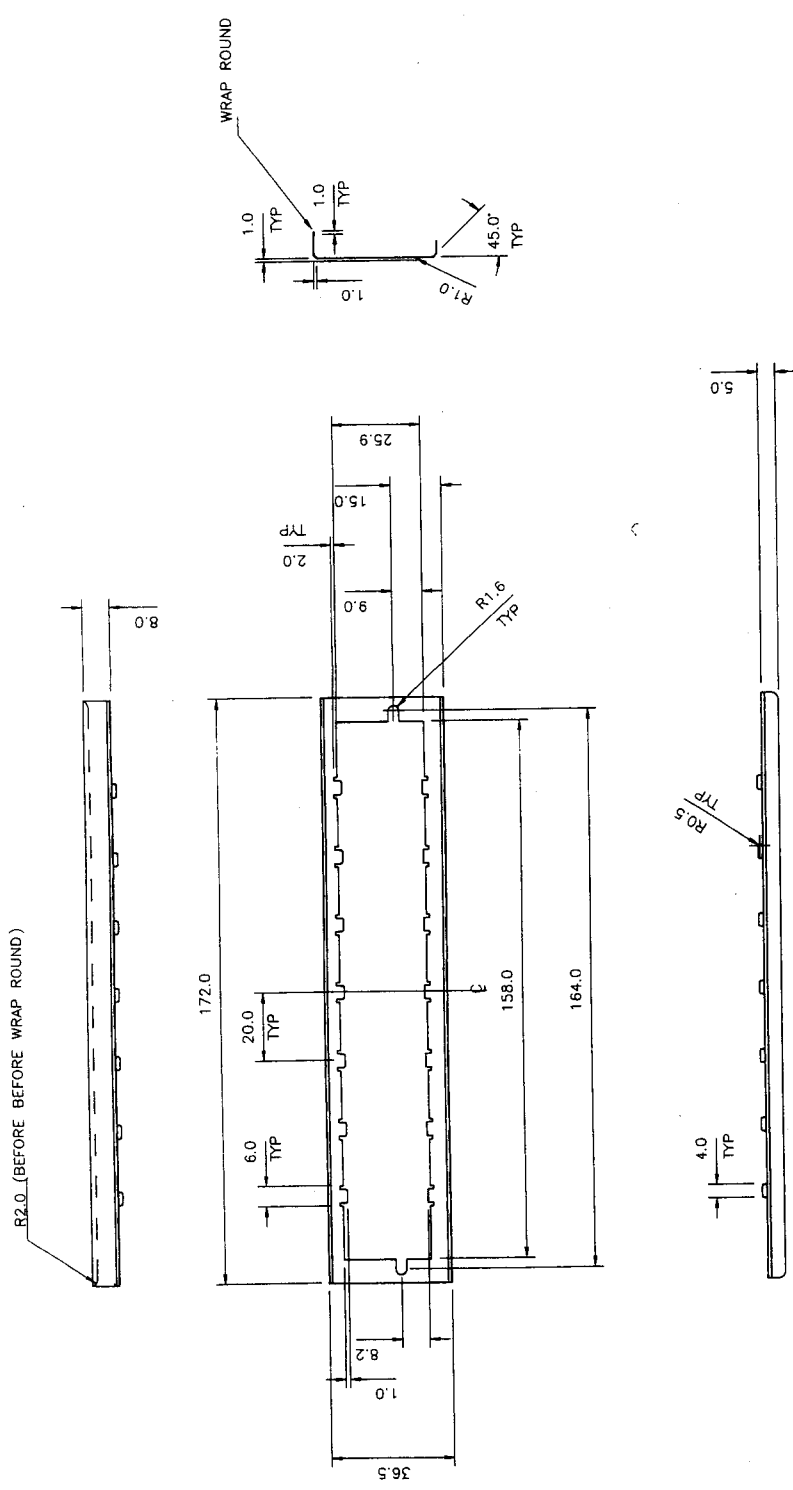
TITLE
MINI EXPANSION CARD
BASIC DIMENSIONS

ACORN COMPUTERS Ltd A2

DRG. No.
0280,080

ISS	DATE	DESC. OF CHANGE	DRN	CHKD
2	2.93	ECO 3122	PMK	

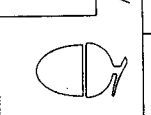
A2		DRG. No.	0294,081		FIRST USED ON		A3010/A3020		THIRD ANGLE PROJECTION		IF IN DOUBT ASK		DO NOT SCALE	
1		18/91	AMR	3424	RS									
A		1.10	INITIAL	ISSUE	RS									
ISS		DATE	DESC.	OF CHANGE	DRN	CHKD								



A3010/A3020		TITLE		A3010/A3020		ACORN COMPUTERS LTD		DRG. No.		0294,081	
ACORN COMPUTERS LTD		FULBOURN ROAD		CHERRY HINTON		CAMBRIDGE		CBI, 4/1			
COPYRIGHT 1992		ACORN COMPUTERS LTD		FULBOURN ROAD		CHERRY HINTON		CAMBRIDGE		CBI, 4/1	

Copyright of this drawing is reserved by ACORN COMPUTERS LTD. It is issued on condition that it is not copied, reproduced or disclosed to a third party, either wholly or in part, without the consent in writing of ACORN COMPUTERS LTD.

SCALE	ALL DIMENSIONS IN mm UNLESS OTHERWISE STATED	
MATERIAL	0.2 STAINLESS STEEL 302 S 25 HALF HARD	
FINISH	CLEAN	
WHOLE No. TOL	± 0.5	DECIMAL No. TOL ± 0.2
ANGLE TOL	± 0.5°	



ACORN COMPUTERS Ltd

Podule Panel EMC Gasket

DRG. No. 0294,081